

Custom Built Heavy Duty Industrial Thermocouple

- Sensors made to meet your requirements
- Thermocouple types K, J, N, R, S and B available
- Sheath diameters from 1/2" to 1+1/16"
- Wide choice of sheath materials
- Die Cast Alloy or Cast Iron Head
- Calibration available
- Generally shipped in 7 to 10 days or sooner



Shown with optional WBPSF fitting

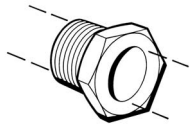
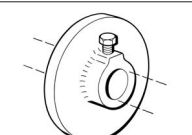
RATED TO IP67

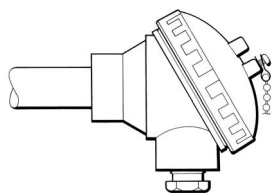
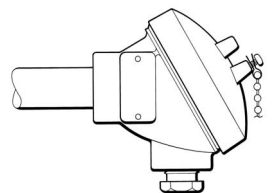
| SECTION 1 | Thermocouple Type | Temperature Range (continuous) |
|-----------|------------------------------------|--------------------------------|
| K | Nickel Chromium vs Nickel Aluminum | +32°F to +2010°F |
| J | Iron vs Constantan | +32°F to +1290°F |
| N | Nicrosil vs Nisil | +32°F to +2010°F |
| S | Platinum - 10% Rhodium vs Platinum | +32°F to +2910°F |
| R | Platinum - 13% Rhodium vs Platinum | +32°F to +2820°F |

| SECTION 2 | Sheath Diameter (inches) | Sheath Diameter (mm) |
|-----------------------|--------------------------|----------------------|
| Standard Sizes | 1/2" | 12.7mm |
| | 5/8" | 15.9mm |
| | 13/16" | 21.3mm |
| | 1+1/16" | 26.7mm |

| SECTION 3 | Standard Sheath Material | Max. Temp. |
|------------|--------------------------|------------|
| 116 | 316 Stainless Steel | 1470°F |
| 176 | Inconel 600 | 2010°F |
| 180 | Incoloy 800 | 2010°F |
| 144 | AISI 446 | 2100°F |
| 114 | Nicrobell D | 2280°F |

| SECTION 4 | Secondary Sheath (optional) |
|------------|-----------------------------------|
| IAP | Impervious Aluminous Porcelain |
| IRA | Impervious Recrystallized Alumina |
| IM | Impervious Mullite |

| SECTION 5 | Optional Tube Mounting Fittings | |
|--------------|-------------------------------------|--|
| WBPSF | St/Steel welded bush 3/4" NPT |  State bush position on sheath |
| WBTSK | St/Steel welded bush 1" NPT | |
| FI1 | 4" dia. adjustable Cast Iron Flange |  |

| SECTION 6 | Terminal Heads | |
|-------------|---|-------------|
| 3P11 | Weatherproof Standard Size Die Cast Alloy Head | 3P12 |
| |  | |
| |  | |

| Order Code - Example | | | | | | | | |
|----------------------|-----------------------------------|----------------|-------------------------------------|---|--------------------------|--|-------------------------------|-------------------------------|
| Type No | Thermocouple Type (See section 1) | Nº of elements | Primary Sheath Dia. (See section 2) | Primary Sheath Material (See section 3) | Sheath Length under Head | Secondary Sheath Material (if required, see section 4) | Tube Mounting (See section 5) | Terminal Head (See section 6) |
| 13 | - K | - 1 | - 13/16" | - 176 | - 20" | - IRA | - FI1 | - 3P12 |



877 249 1777 toll free

Fax: 708 236 5778 • Email: sales@tcdirect.com • Web: www.tcdirect.com