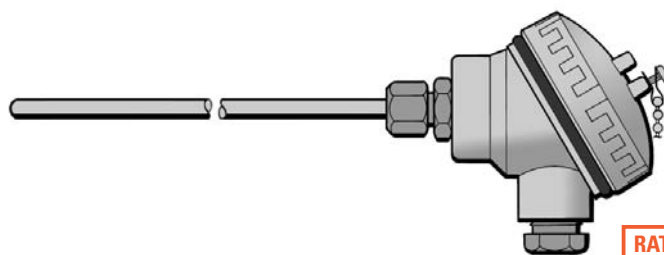


Custom Built Thermocouple Sensors with Miniature Head

- Sensors made to meet your requirements
- Thermocouple types K, T, J, N and E available
- Sheath diameters from 0.125" to 0.313"
- Wide choice of sheath materials
- Die Cast Alloy Head with ceramic terminal block
- Calibration available, please contact us for details
- Generally shipped in 7 to 10 days or sooner

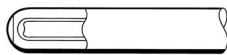



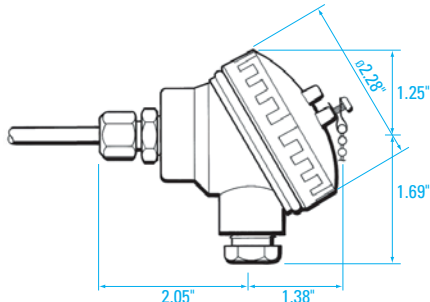
RATED TO IP67

SECTION 1	Thermocouple Type	Temperature Range (continuous)
K	Nickel Chromium vs Nickel Aluminum	+32°F to +2010°F
T	Copper vs Constantan	-300°F to +750°F
J	Iron vs Constantan	+32°F to +1290°F
N	Nicrosil vs Nisil	+32°F to +2192°F
E	Nickel Chromium vs Constantan	+32°F to +1470°F

SECTION 2	Sheath Material	Maximum Temperature
104	304 Stainless Steel (Types K, J, T & E)	1650°F
125	310 Stainless Steel (Type K)	2010°F
176	Inconel 600 (Types K & N)	2010°F
114	Nicrobell D (Types K & N)	2280°F
156	Hastelloy X (Type K)	2230°F

SECTION 3	Sheath Diameter (inches)	Sheath Diameter (mm)
Standard Sizes	0.125"	3.2mm
	0.188"	4.7mm
	0.250"	6.4mm
	0.313"	8.0mm

SECTION 4	Types of Sensing Junction	
2I		INSULATED (2ID for a Duplex element)
2G		GROUNDED (2GD for a Duplex element)

SECTION 5	Termination
3P10	

SECTION 6	Optional Stainless Steel Adjustable Compression Fittings		
Dia.	1/8" NPT	1/4" NPT	1/2" NPT
0.125"	ACN08S	ACN09S	ACN11S
0.188"	ACN12S	ACN15S	ACN15S
0.250"	ACN16S	ACN17S	ACN19S
0.313"	—	ACF28S	ACF74S

For our full range of fittings, please see page 72

Order Code - Example

Type No	Thermocouple Type (See section 1)	Sheath Length in inches	Sheath Material (See section 2)	Sheath Diameter (See section 3)	Sensing Junction (See section 4)	Termination (See section 5)	Compression Fitting (Optional, see section 6)
12	- K	- 18"	- 125	- 0.125"	- 2I	- 3P10	- ACN09S



877 249 1777 toll free

Fax: 708 236 5778 • Email: sales@tcdirect.com • Web: www.tcdirect.com